

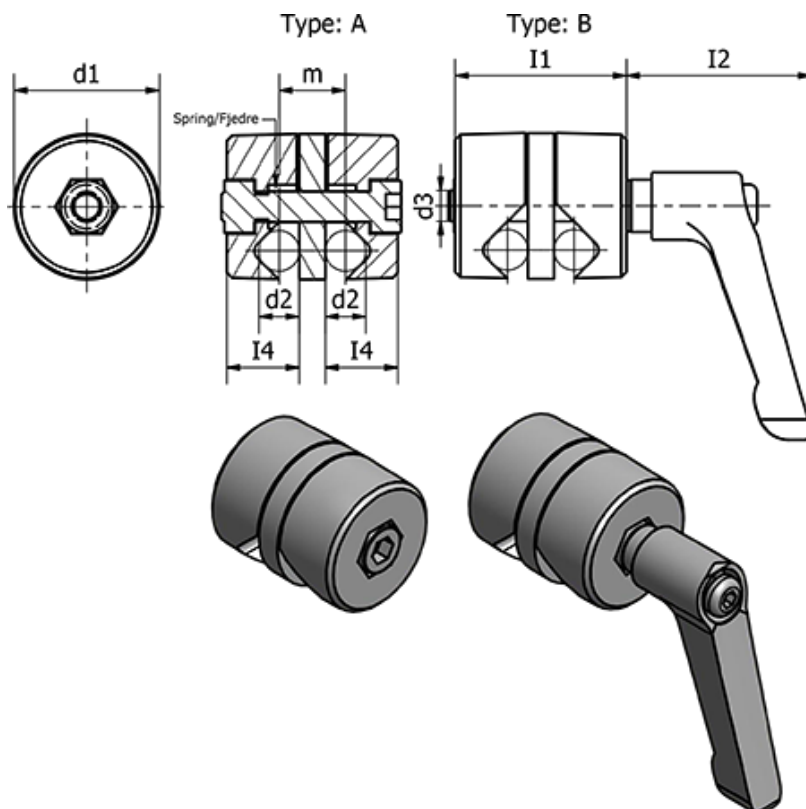
# Data Sheet



Article number: 204904616BMT

Description: E+G Clamp mounting - GN 490-46-16-B-MT

## Measures



$d1 = 46$

$d2 = 16$

$d3 = M10$

$I1 = 57$

$I2 = 55$

$I3 = 78$

$I4 = 27$

$I5 = 6$

$m = 22$

Weight (g) = 354